

OFF ROAD X-W

4WD HIGH PERFORMANCE OFF ROAD CAR

MST

MAX SPEED TECHNOLOGY

READY-TO-RUN RTR

EXPLODED MANUAL



4X4 OFF ROAD



WHEELBASE : Varied by The Car Body
WIDTH : 230mm
GEAR RATIO = 1:36.3~1:53.4
TIRE WIDTH / DIAMETER : 40×120mm
Shaft-Driven Full-Time 4WD
Front and Rear MPA-axle

WWW.RC-MST.COM

*SPECIFICATION ARE SUBJECT TO CHANGE WITHOUT NOTICE

CFX-W

OFF ROAD
4WD HIGH PERFORMANCE OFF ROAD CAR

READY-TO-RUN RTR



Appreciate for your choice of CFX-W RTR! You will be impressed with its performance and beauty. Please prepare additional parts as car battery, transmitter battery, and charger. Please read the manuals for the electronics setting and operations. If you have doubt or need assistance, please contact the purchased shop or hobby shop for help, many thanks!

首先感謝你購入 CFX-W RTR 這項產品，您將擁有一部兼具性能與美型的攀岩車。在首次操作前，有以下幾項須要另行購置的物件；車用電池、遙控器用電池、充電器。備妥上述物件後，並詳閱各說明書。如需其他協助，請向原購買店家，或遙控模型店詢問！謝謝！

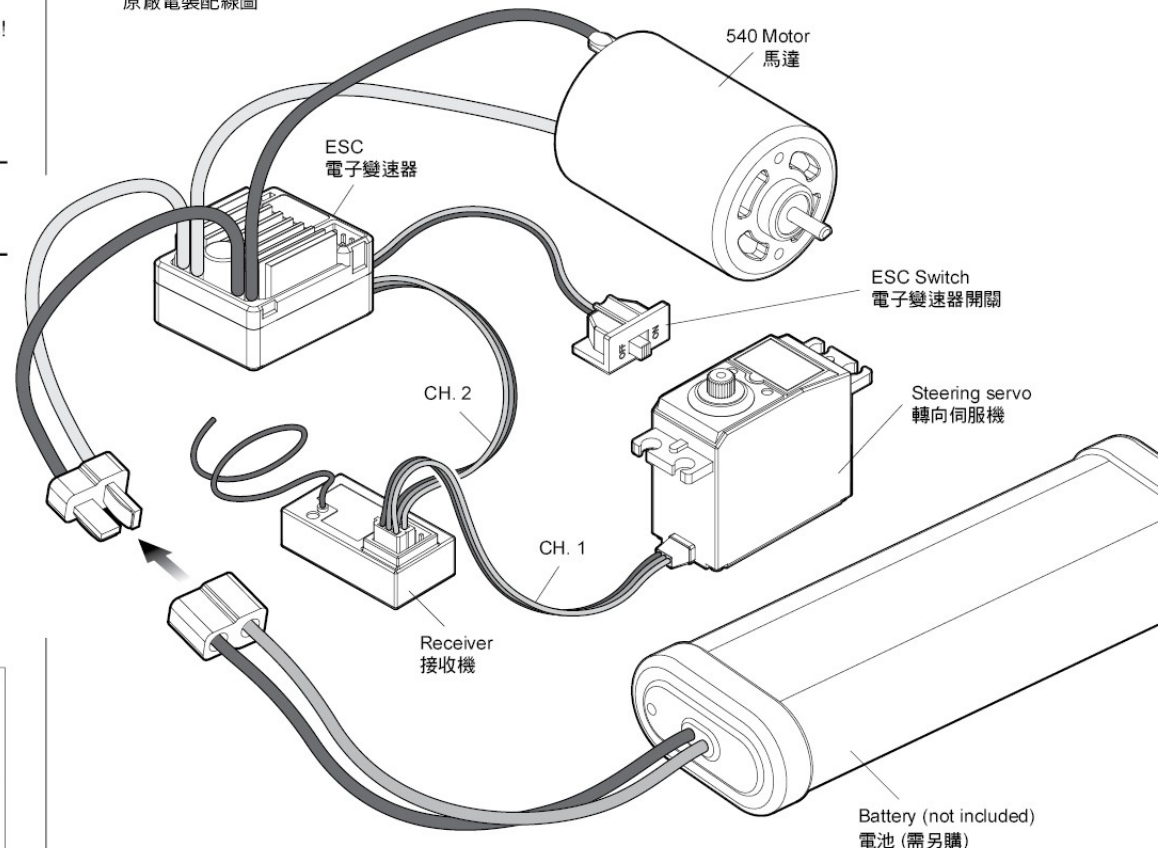
PLEASE FOLLOW BELOW OPERATIONS BEFORE OPERATION. 請於使用前，執行以下操作



- | | |
|-------------------------------------|-----------------|
| ❶ Install transmitter batteries. | ❶ 安裝遙控器電池 |
| ❷ Connector ESC and battery. | ❷ 聯結車用電池與電子變速器 |
| ❸ Switch on the transmitter. | ❸ 打開遙控器電源 |
| ❹ Trims the transmitter in neutral. | ❹ 調整遙控器各微調器至中立點 |
| ❺ Switch on the ESC. | ❺ 打開電子變速器電源 |
| ❻ Completed. | ❻ 完成 |

※ Please play this product in opening or safety area. 請於空曠或安全無虞的場所，使用本項產品。

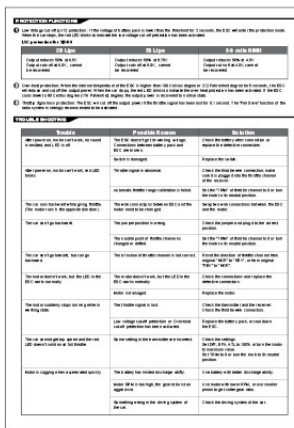
FACTORY ELECTRONIC SETTING 原廠電裝配線圖



※ Please refer to instruction of transmitter & receiver performance. 遙控器&接收機功能說明請參閱詳細說明書。



※ Please refer to instruction of ESC performance. 電子變速器功能說明請參閱詳細說明書。



GEAR RATIO			
Pinion Gear	Spur Gear 62T	Pinion Gear	Spur Gear 62T
17	53.35	22	41.23
18	50.39	23	39.43
19	47.74	24	37.79
20	45.35	25	36.28
21	43.19		

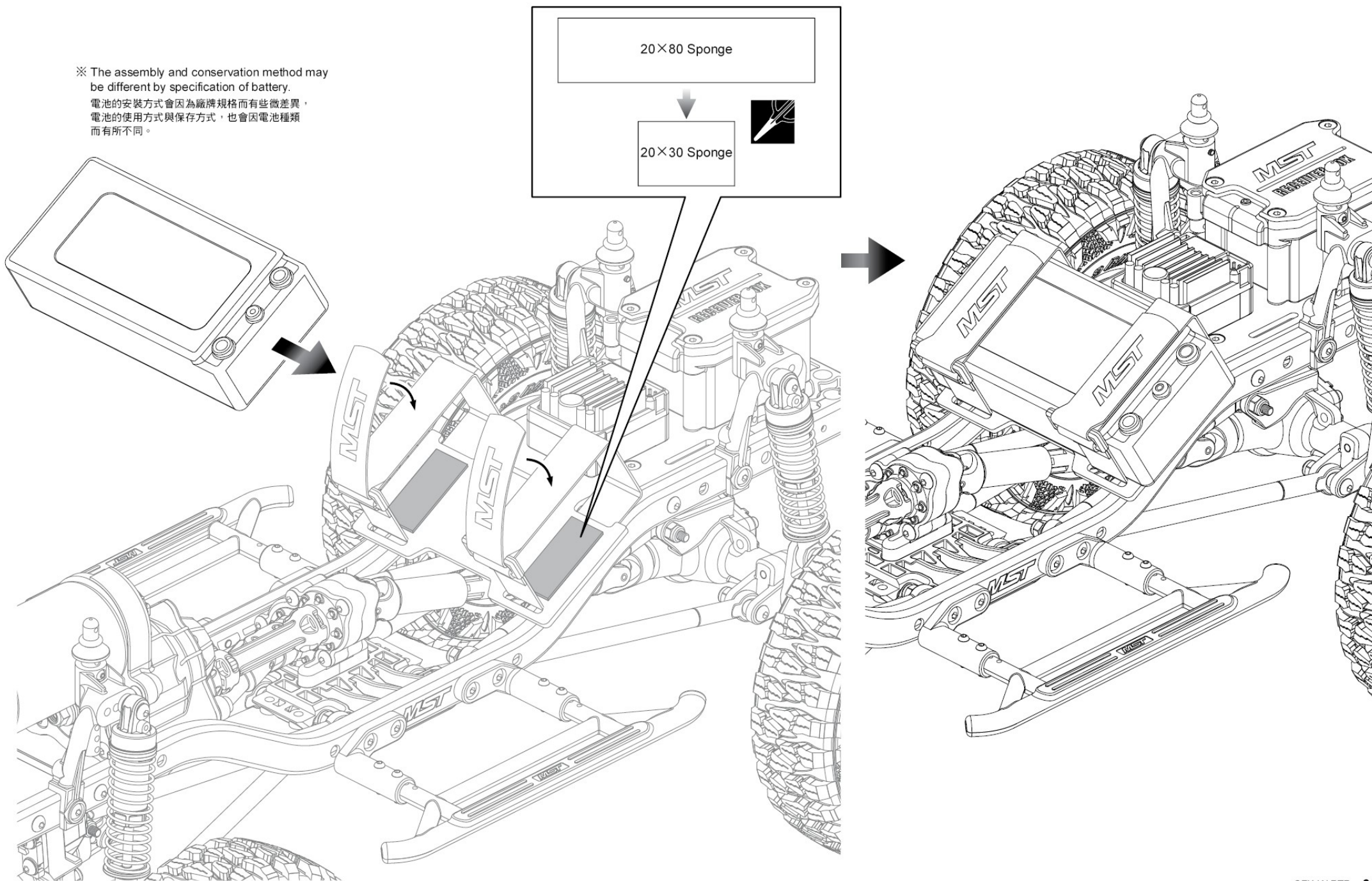
1

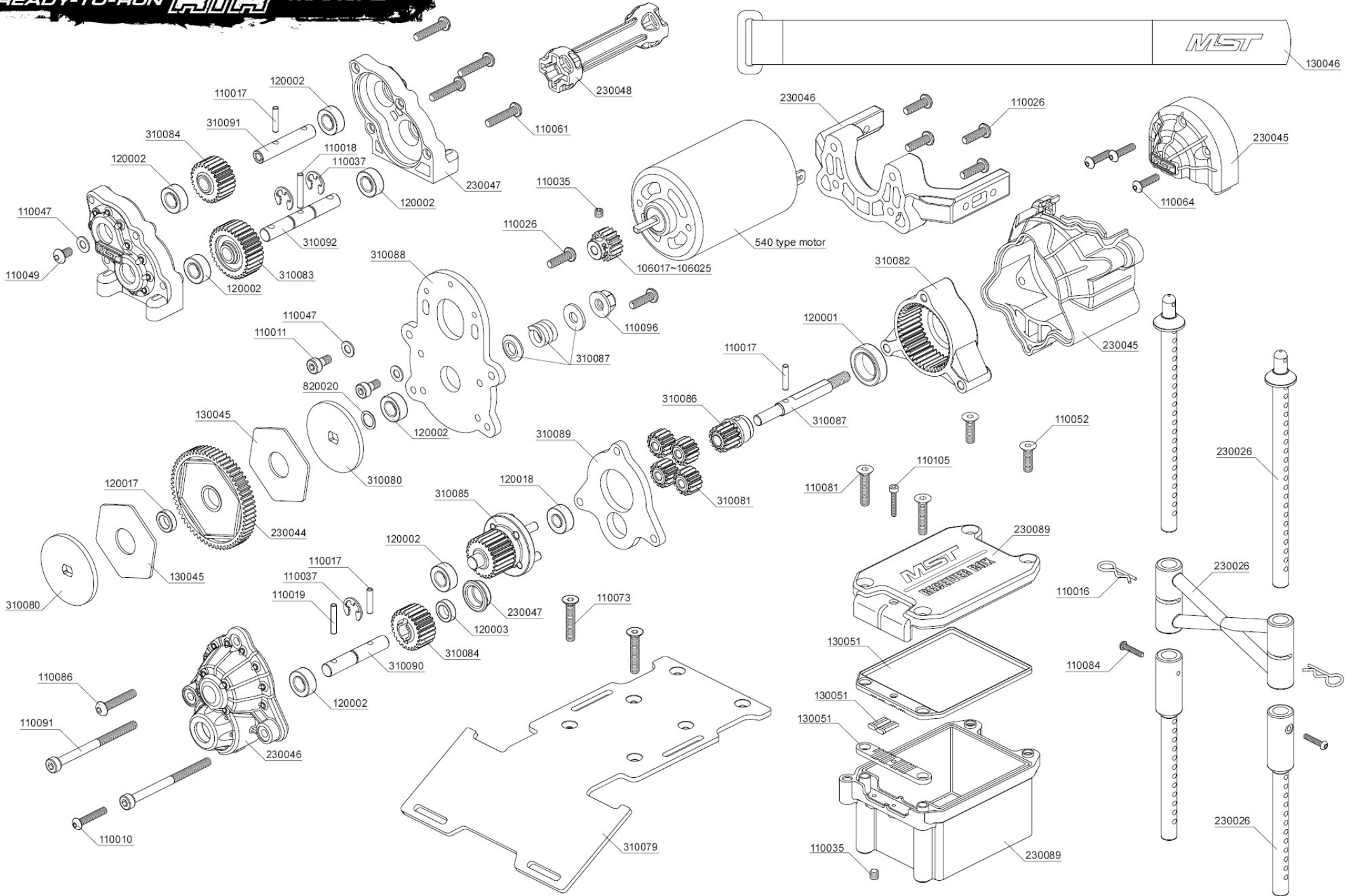
ATTACHING BATTERY

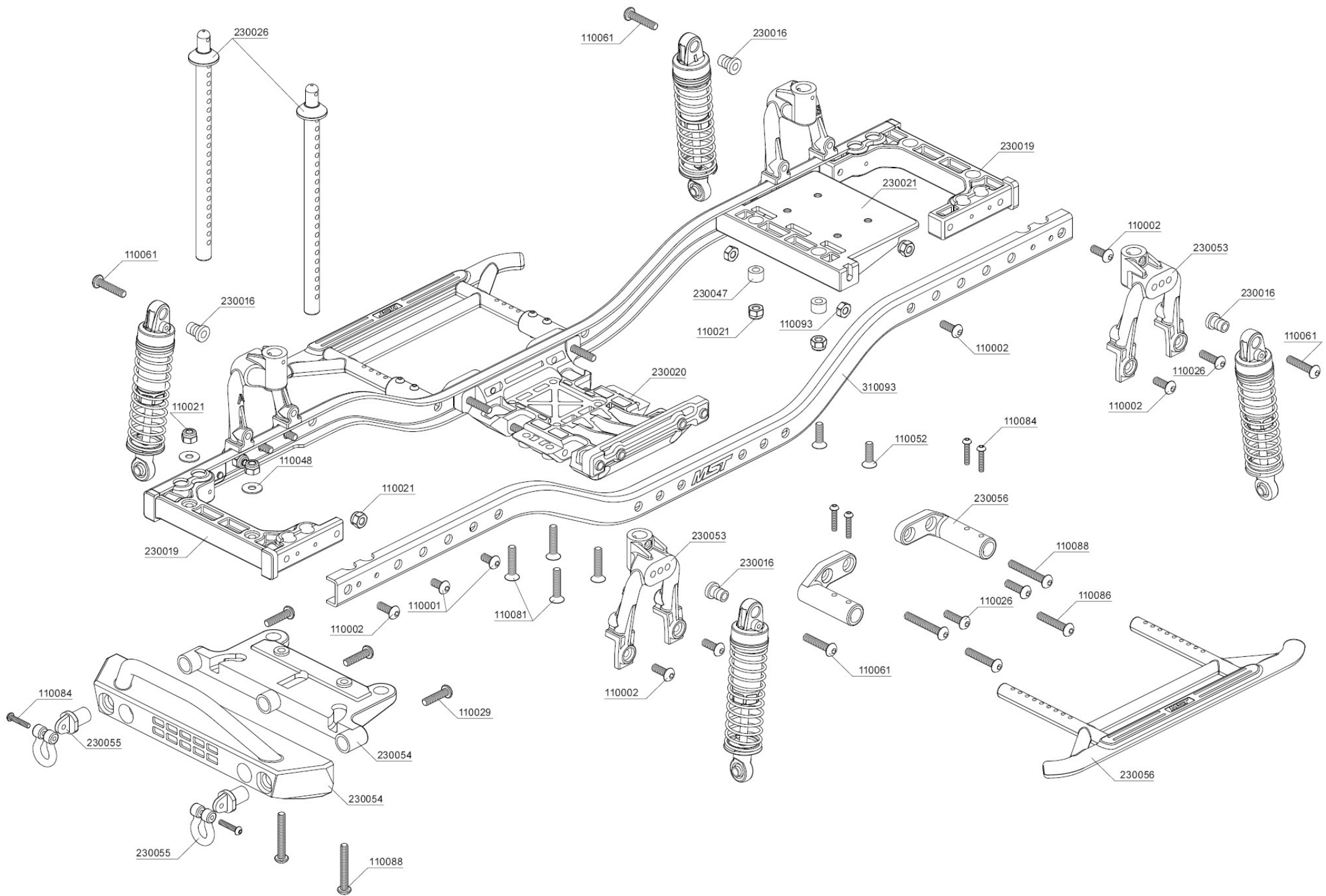
安裝電池

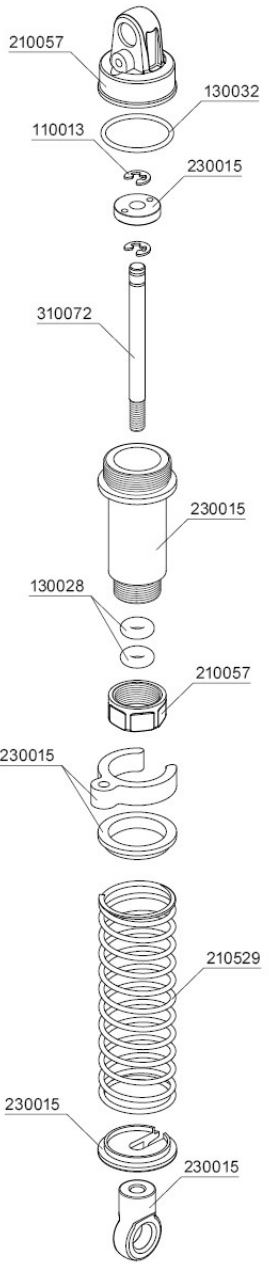
※ The assembly and conservation method may be different by specification of battery.

電池的安裝方式會因為廠牌規格而有些微差異，電池的使用方式與保存方式，也會因電池種類而有所不同。

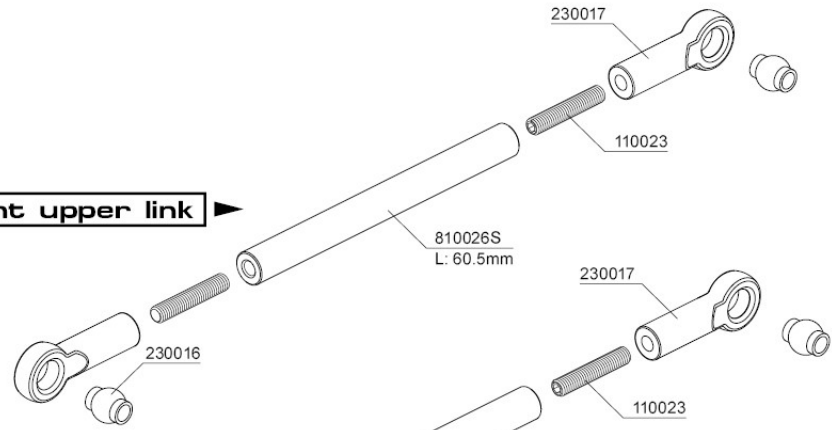




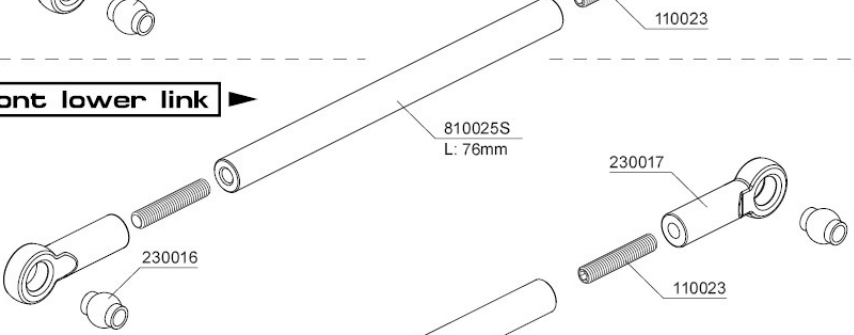




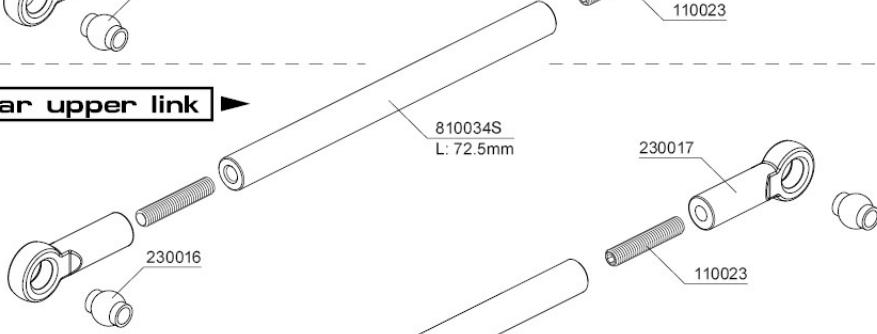
Front upper link



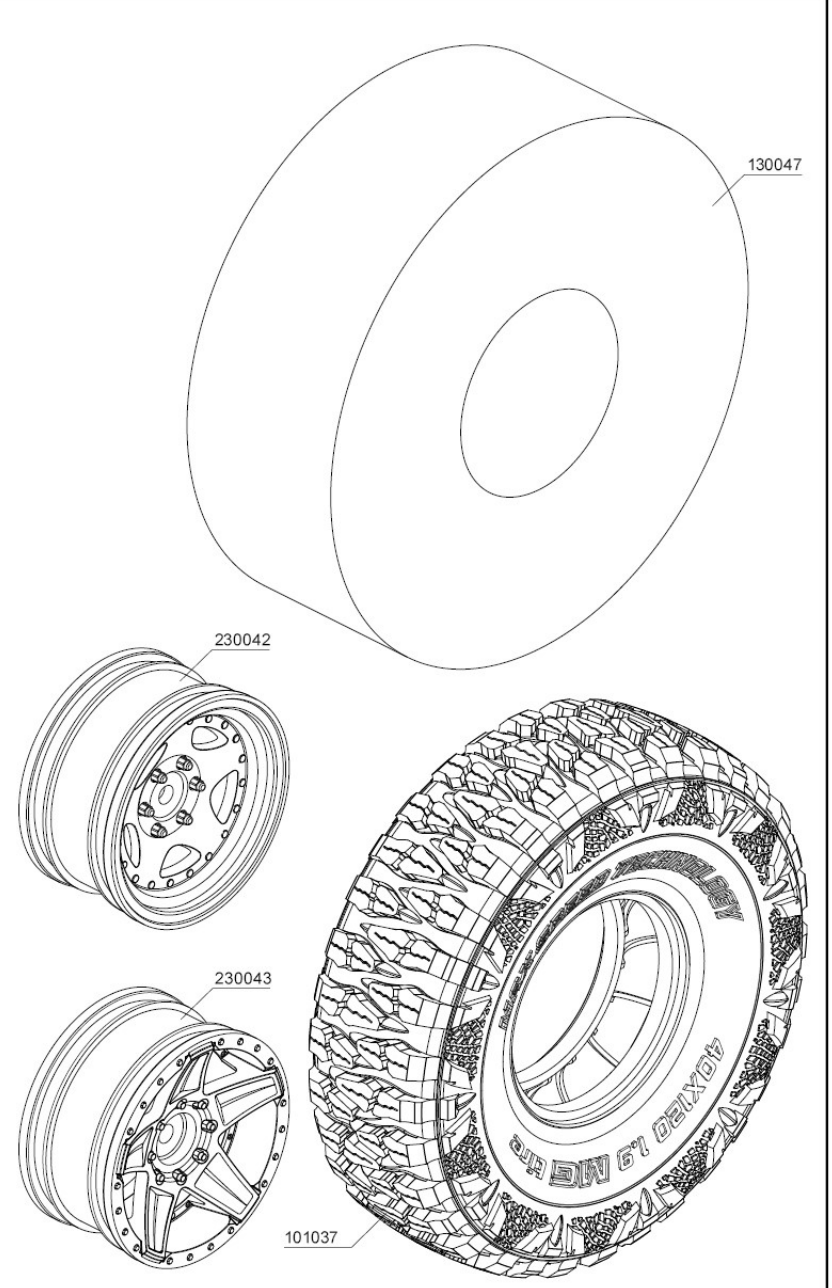
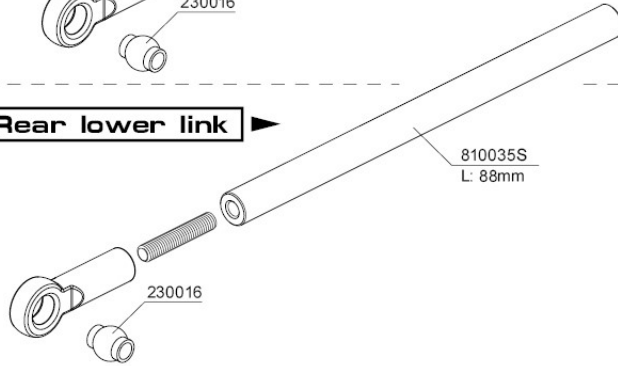
Front lower link

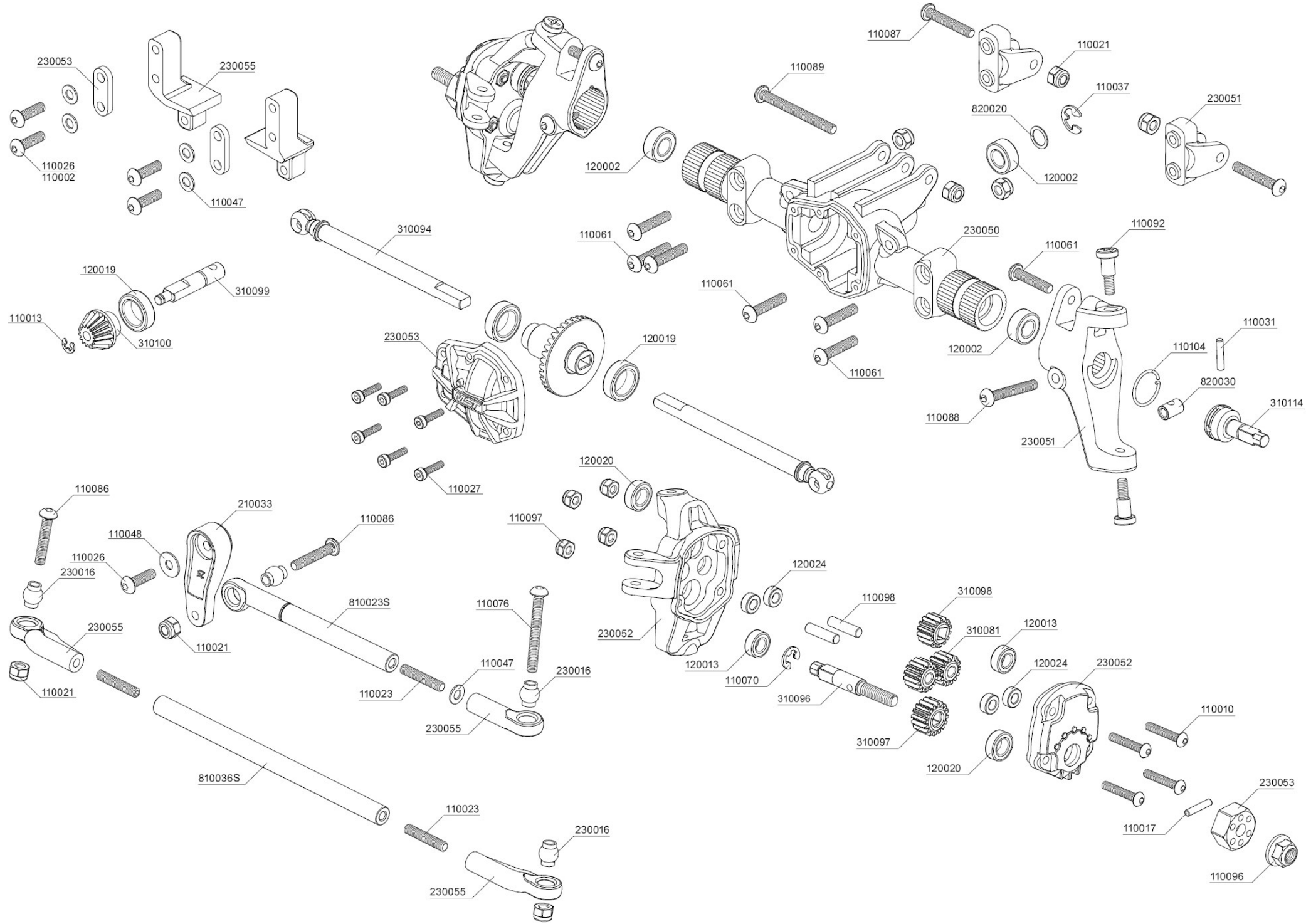


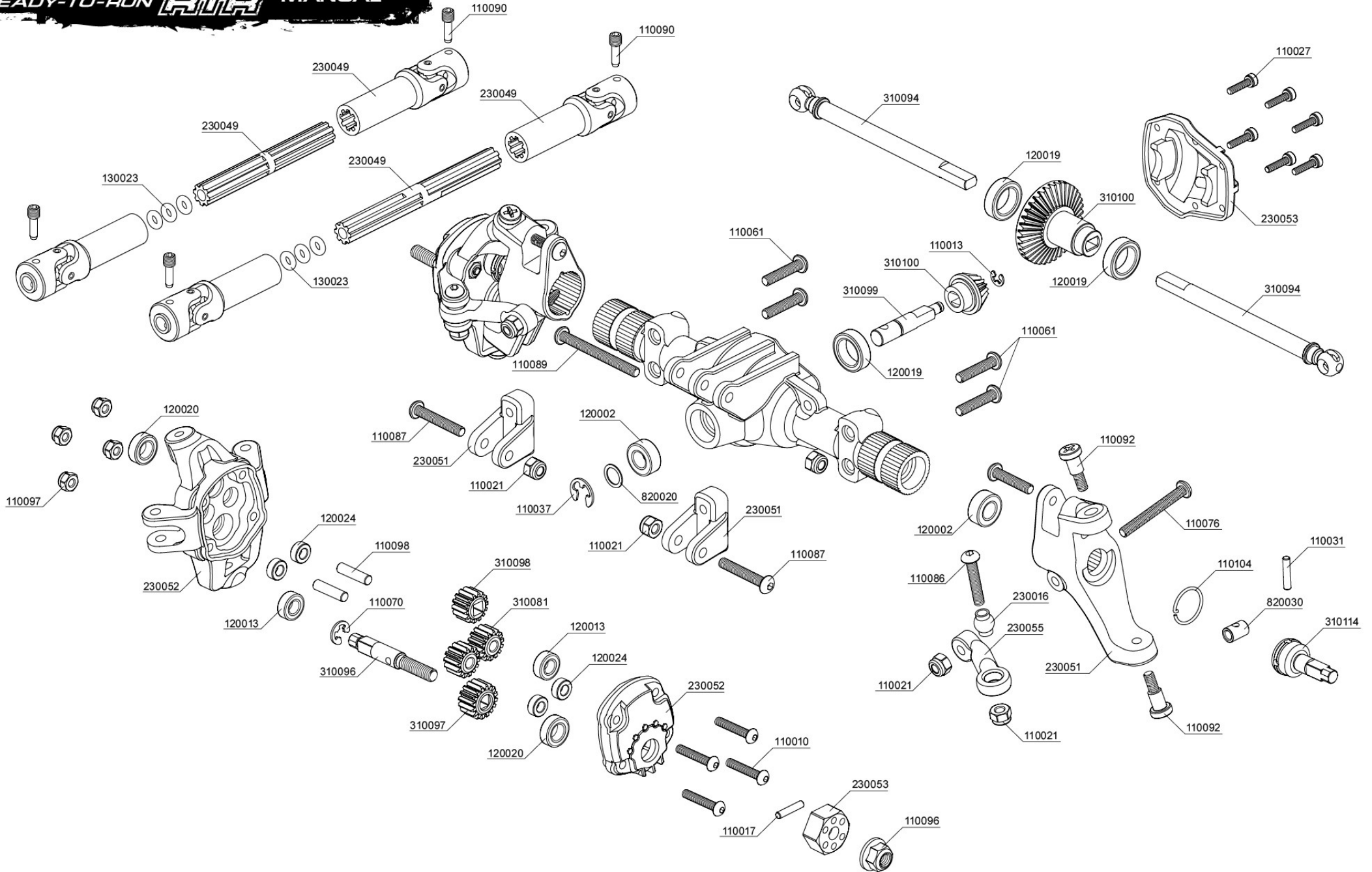
Rear upper link





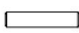























































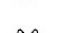









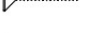

Rear lower link



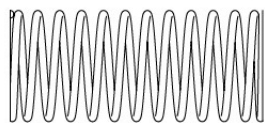




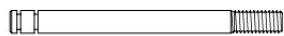
PARTS

	M2×10 screw ×16 圓頭螺絲 110084		M1.6×10 Cap screw ×1 有頭螺絲 110105		2×9.8 Shaft ×7 插銷 110017		E-clip 2.0 ×10 E扣 110013		3×6×2.5 Bearing ×16 軸承 120024
	M2.5×10 screw ×3 圓頭螺絲 110064		M2×8 Cap screw ×12 有頭螺絲 110027		2×10.8 Shaft ×4 插銷 110031		E-clip 3.0 ×4 E扣 110070		5×8×2.5 Bearing ×1 軸承 120017
	M2.5×14 screw ×17 圓頭螺絲 110010		Shaft screw ×4 銷釘螺絲 110090		2×11.8 Shaft ×2 插銷 110019		E-clip 4.0 ×5 E扣 110037		4×8×3 Ball bearing ×8 培林 120013
	M3×5 screw ×1 圓頭螺絲 110049		M3×16 screw ×20 止付螺絲 110023		3×11.8 Shaft ×8 插銷 110098		G-clip 11.0 ×4 G扣 110104		4×10×4 Ball bearing ×1 培林 120018
	M3×6 screw ×4 圓頭螺絲 110001		M3×6 Cap screw ×2 有頭螺絲 110011		2×13.8 Shaft ×1 插銷 110018		Cross joint ×4 連接軸 820030		5×8×2.5 Ball bearing ×1 培林 120003
	M3×8 screw ×16 圓頭螺絲 110002		King pin screw ×8 大王螺絲 110092		3×8×0.5 Spacer ×9 墊片 110047		Nut M3 ×2 螺帽 110093		5×9×3 Ball bearing ×8 培林 120020
	M3×10 screw ×17 圓頭螺絲 110026		Spring ×1 扭限彈簧 310087		3×8×0.5 Spacer ×3 墊片 110048		Lock nut M2.5 ×16 防鬆螺帽 110097		5×10×4 Ball bearing ×13 培林 120002
	M3×12 screw ×3 圓頭螺絲 110029		R-clip ×9 R形扣 110016		5×7×0.3 Spacer ×3 墊片 820020		Lock nut M3 ×31 防鬆螺帽 110021		8×12×3.5 Ball bearing ×6 培林 120019
	M3×14 screw ×22 圓頭螺絲 110061		Bevel gear shaft ×2 小傘齒軸 310099		4×10×1 Spacer ×1 墊片 310087		Lock nut M4 ×5 防鬆螺帽 110096		10×15×4 Ball bearing ×1 培林 120001
	M3×16 screw ×9 圓頭螺絲 110086		Gear Shaft B ×1 齒輪軸心 B 310091		Gear Shaft A ×1 齒輪軸心 A 310090		Gear B 14T ×12 齒輪 B 14T 310081		Slipper spacer ×1 扭限墊片 310087
	M3×18 screw ×4 圓頭螺絲 110087		Gear Shaft C ×1 齒輪軸心 C 310092		Main shaft ×1 主齒軸 310087		Gear C 14T ×4 齒輪 C 14T 310098		MPA Wheel axle ×4 MPA 萬向接杆 310114
	M3×20 screw ×8 圓頭螺絲 110088		MPA Axle ×4 MPA 輪軸 310096		MPA CVD Axle ×4 MPA CVD 輪軸 310094		Gear 16T ×4 齒輪 16T 310097		Gear A 14T ×1 齒輪 A 14T 310086
	M3×25 screw ×3 圓頭螺絲 110076		Gear A 24T ×1 齒輪 A 24T 310085				Gear B 24T ×2 齒輪 B 24T 310084		Gear A 24T ×1 齒輪 A 24T 310085
	M3×30 screw ×2 圓頭螺絲 110089						Gear 32T ×1 齒輪 32T 310083		
	M3×10 screw ×4 沉頭螺絲 110052								
	M3×14 screw ×6 沉頭螺絲 110081								
	M3×16 screw ×2 沉頭螺絲 110073								
	M3×40 Cap screw ×2 有頭螺絲 110091								

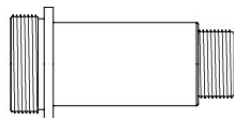
PARTS



Coil spring 45mm (hard) (silver) ×4
避震彈簧 45mm (硬) (銀)
210529



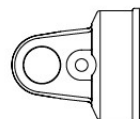
Piston rod ×4
避震軸心
310072



Damper cylinder ×4
避震筒身
230015



Piston ×4
活塞
230015



Cylinder cap ×4
避震器上蓋
210057



Spring spacer ×4
彈簧調整扣 1mm
230015



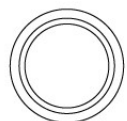
Rod guide cap ×4
避震器下蓋
210057



Spring spacer ×4
彈簧調整扣 2mm
230015



Damper retainer ×4
避震器彈簧座
230015



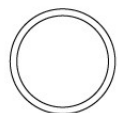
Spring holder ×4
彈簧托環
230015



Spring spacer ×4
彈簧調整扣 4mm
230015



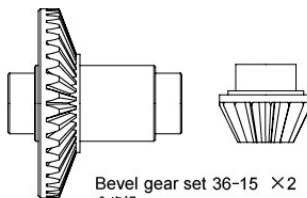
Damper adjuster ×4
避震器拉桿
230015



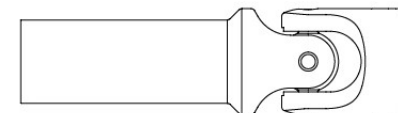
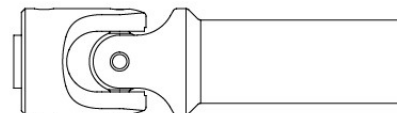
10.8×0.9 O-ring ×4
O環
130032



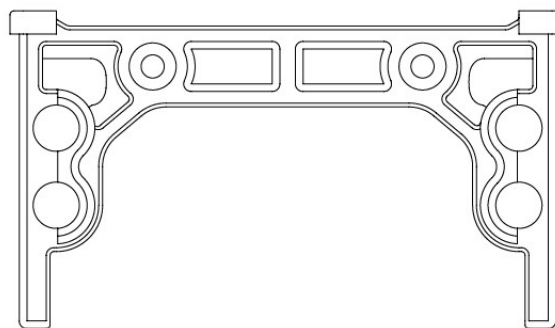
Damper O-ring P3 ×8
避震器O環
130028



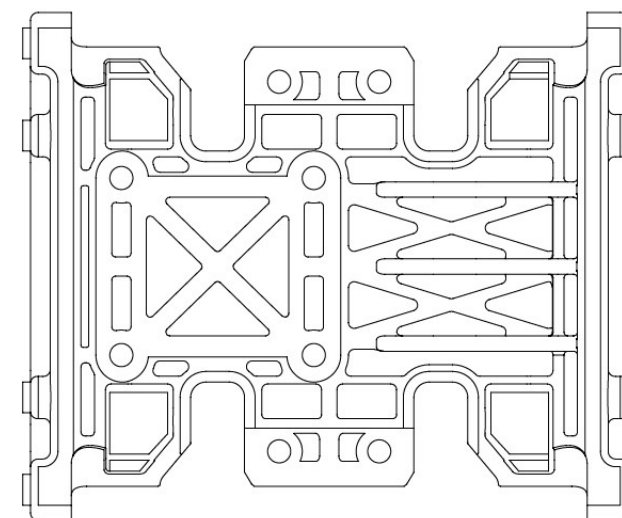
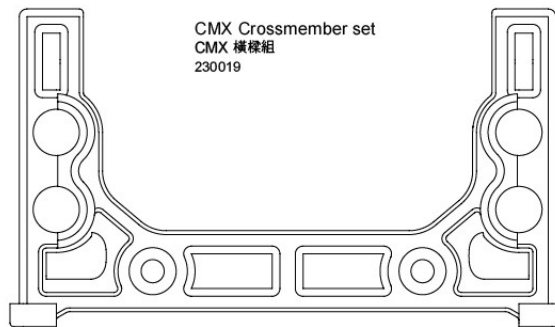
Bevel gear set 36-15 ×2
傘齒組 36-15
310100



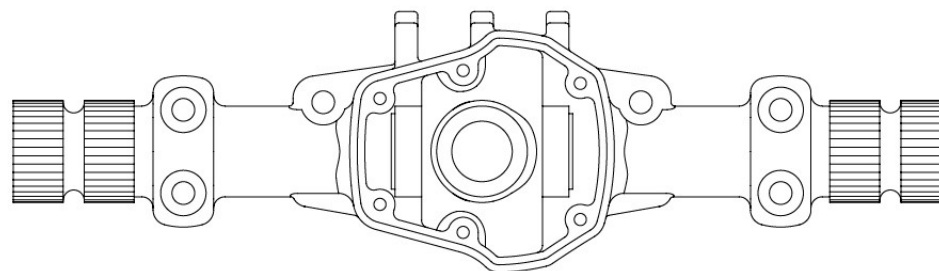
CFX-W Driveshaft ×2
CFX-W 傳動軸
230049



CMX Crossmember set
CMX 橫樑組
230019

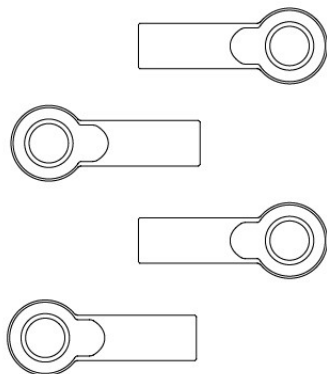


CMX Gear box chassis set
CMX 減速箱底盤組
230020



MPA Axle cover ×2
MPA 車輪殼
230050

PARTS



5.8 Rod ends set ×4
5.8 拉桿頭組
230057



Alum. link 96mm ×1
鋁合金拉桿 96mm
810036S



Alum. link 88mm ×2
鋁合金拉桿 88mm
810035S



Alum. link 76mm ×2
鋁合金拉桿 76mm
810025S



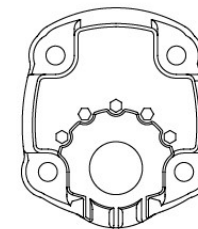
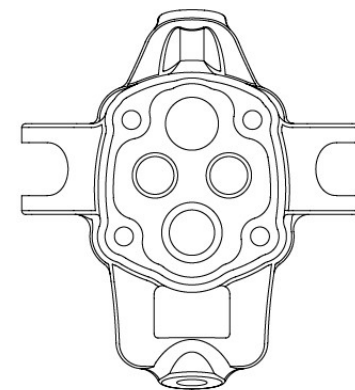
Alum. link 72.5mm ×2
鋁合金拉桿 72.5mm
810034S



Alum. link 60.5mm ×2
鋁合金拉桿 60.5mm
810026S

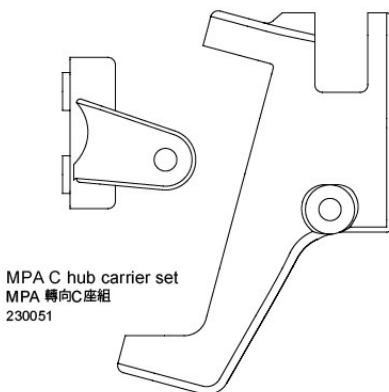
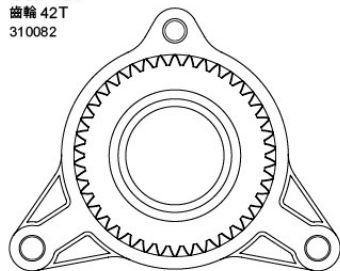


Alum. link 43mm ×1
鋁合金拉桿 43mm
810023S

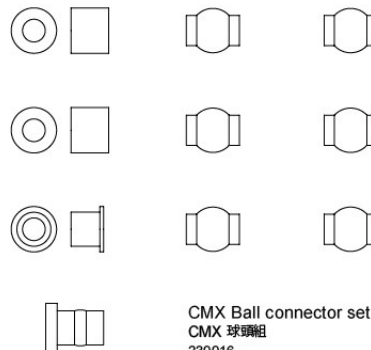


MPA Knuckle set
MPA 轉向座組
230052

Gear 42T
齒輪 42T
310082

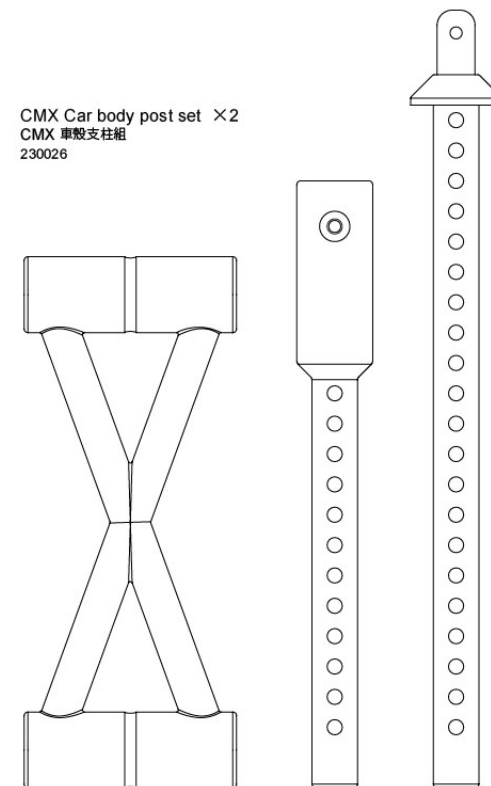


MPA C hub carrier set
MPA 轉向C座組
230051

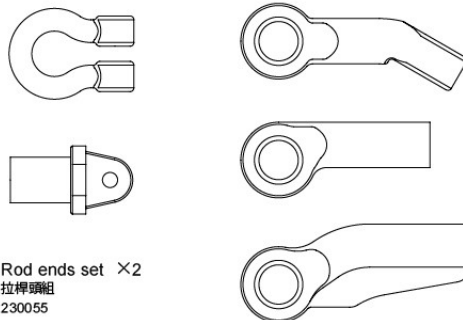
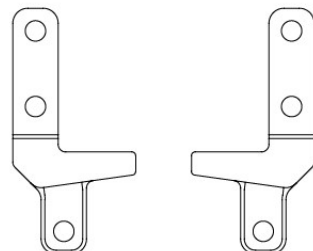
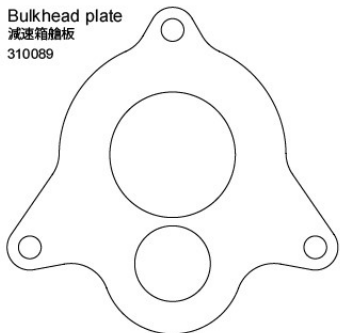


CMX Ball connector set ×5
CMX 球頭組
230016

CMX Car body post set ×2
CMX 車殼支柱組
230026

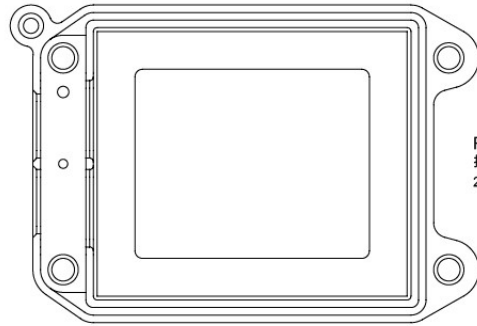
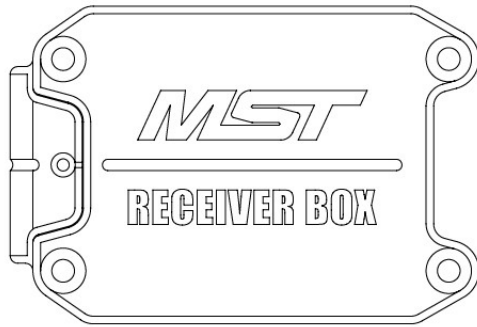


Bulkhead plate
減速箱膺板
310089

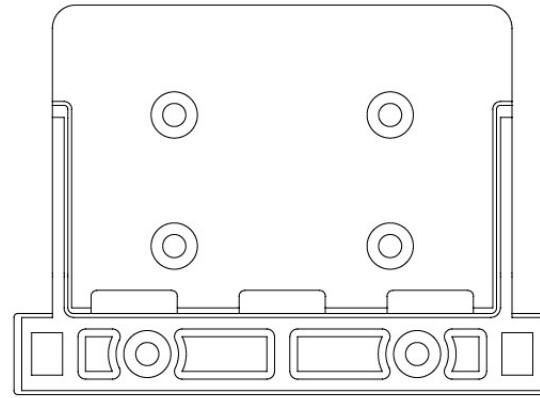


Rod ends set ×2
拉桿頭組
230055

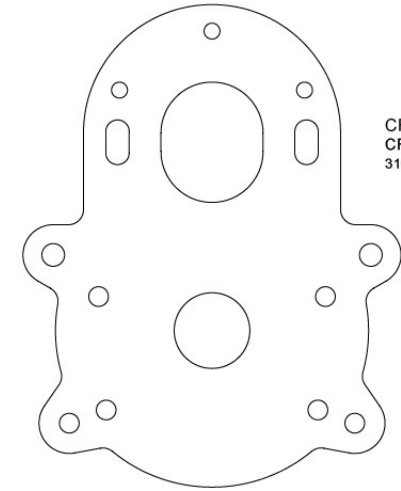
PARTS



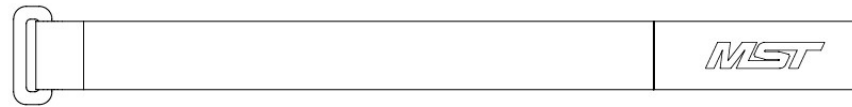
Receiver case set
接收機盒組
230089



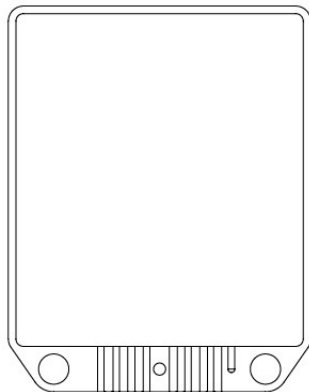
CMX Receiver case set
CMX 接收機盒組
230021



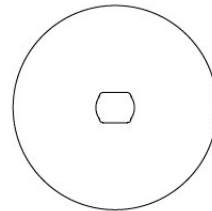
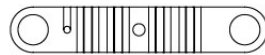
CFX Motor mount
CFX 馬達座
310088



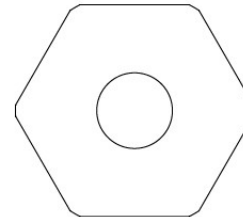
Velcro strap 16×210mm ×2
電池束帶
130046



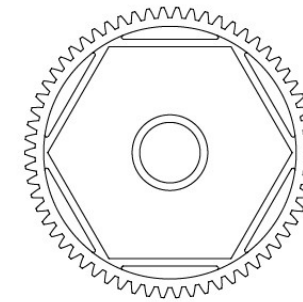
Receiver case seals
防水膠圈組
130051



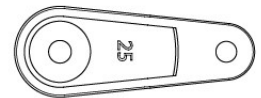
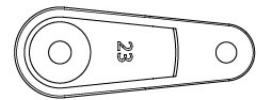
Slipper Plate
扭環壓盤
310080



Slipper Pad
扭環摩擦片
130045

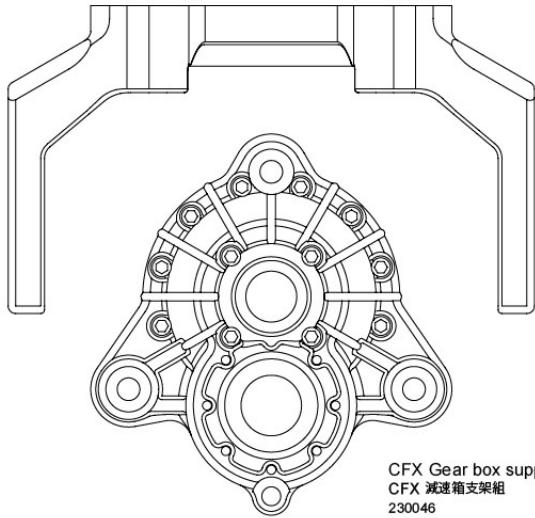


M06 Spur gear 62T
M06 大齒盤 62T
230044

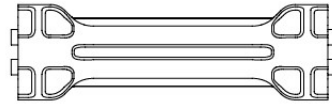


Servo horn set (long) (23T/25T)
伺服機舵片組-長 (23T/25T)
210033

PARTS

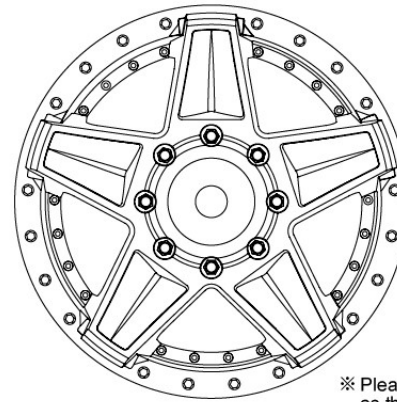


CFX Gear box support
CFX 減速箱支架組
230046

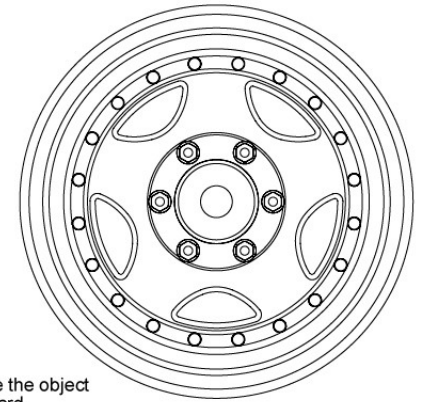


CFX Driveshaft set
CFX 驅動軸組
230048

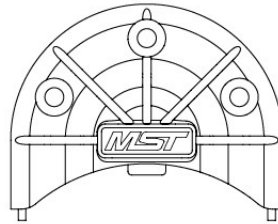
648 1.9" Wheel ×4
648 1.9" 輪框
230043



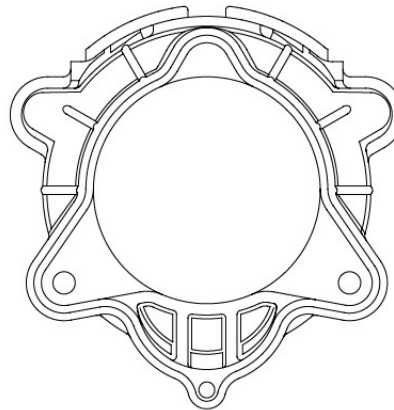
236 1.9" Wheel ×4
236 1.9" 輪框
230042



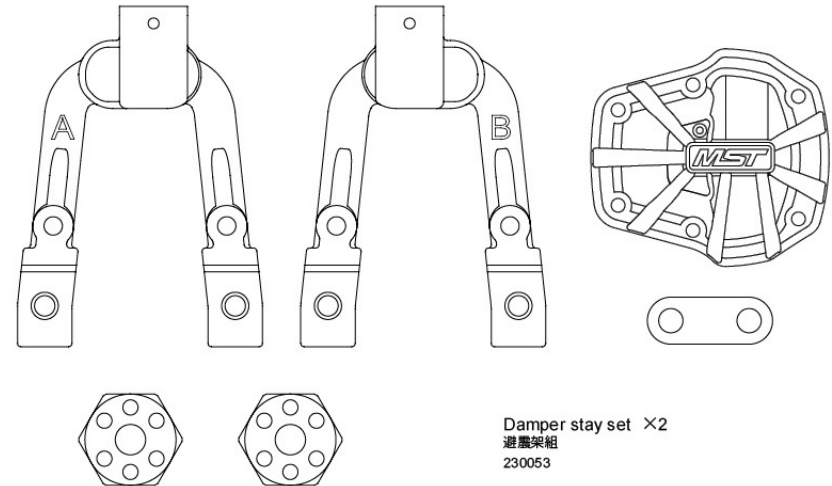
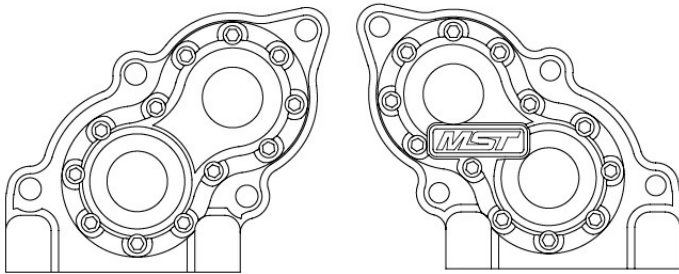
※ Please make the object
as the standard.
請以實物為主。



CFX Deceleration
gear box set
CFX 減速箱組
230045



CFX Transfer case set
CFX 分動箱組
230047

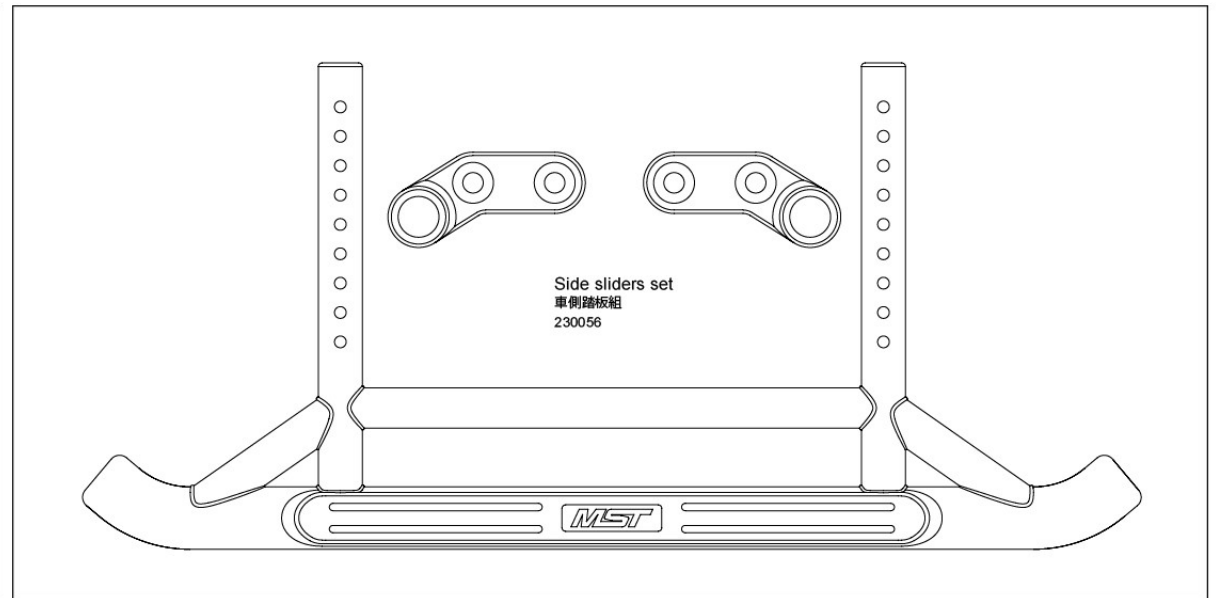
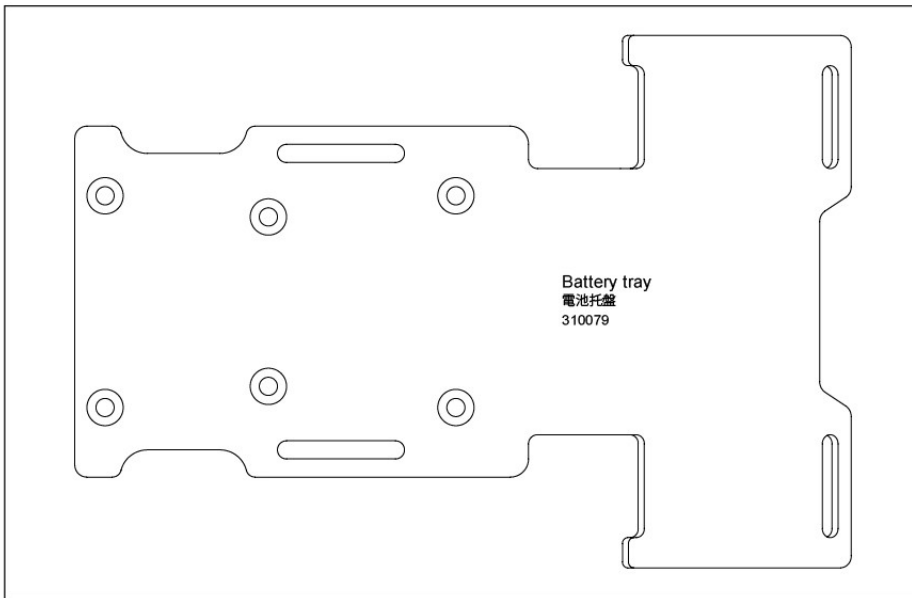
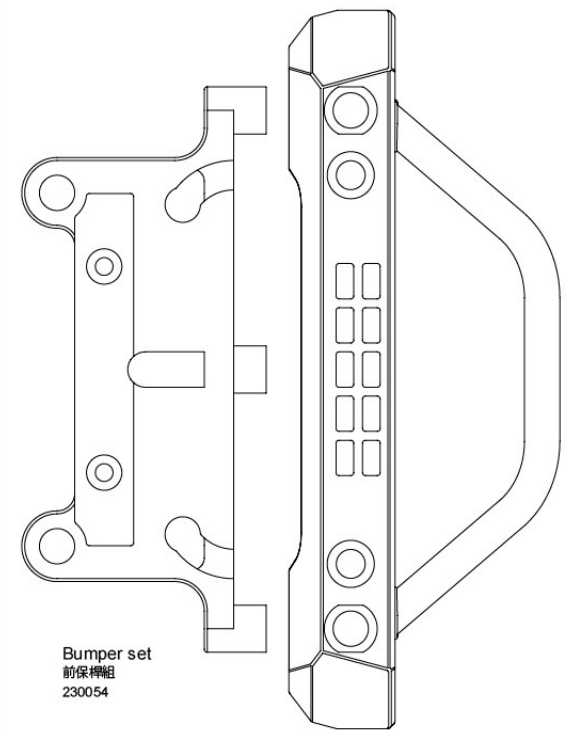
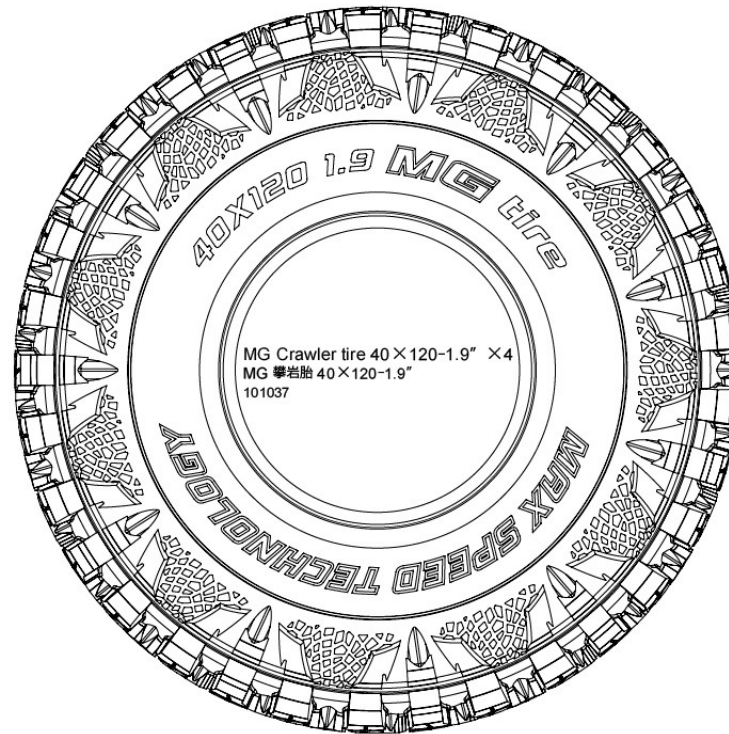
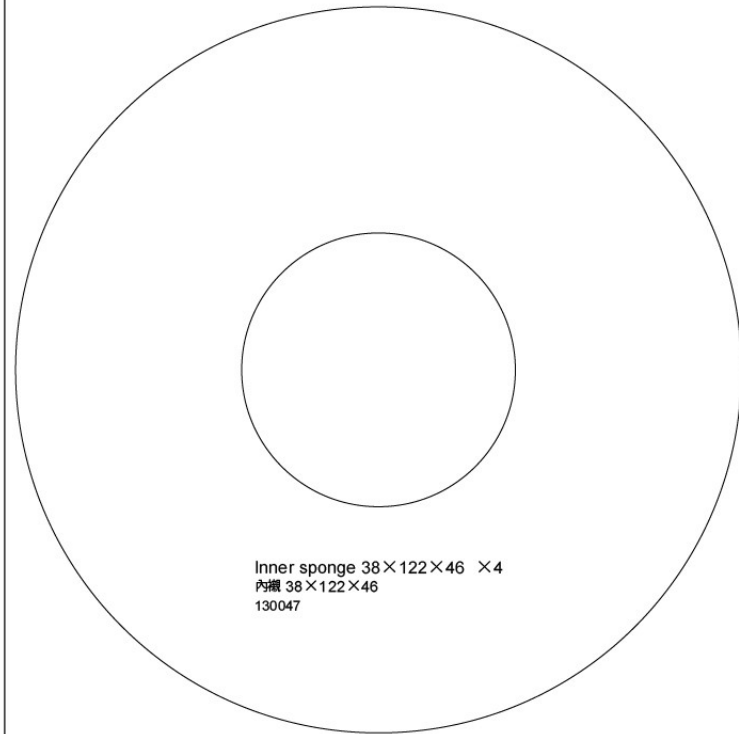


Damper stay set ×2
避震架組
230053



CFX-W Chassis rail ×2
CFX-W 大樑
310093

PARTS



PARTS CODE

101037	MG Crawler tire 40×120-1.9" (2)	110070	E-clip 3.0 (10)	120018	Ball bearing 4×10×4 (2)	230046	CFX Gear box support	310088	CFX Motor mount
110001	Round head screw M3×6 (10)	110073	Countersunk screw M3×16 (6)	120019	Ball bearing 8×12 (2)	230047	CFX Transfer case set	310089	Bulkhead plate
110002	Round head screw M3×8 (10)	110076	Round head screw M3×25 (6)	120020	Ball bearing 5×9×3 (4)	230048	CFX Driveshaft set	310090	Gear shaft A
110010	Round head screw M2.5×14 (6)	110081	Countersunk screw M3×14 (6)	120024	Bearing 3×6×2.5 (4)	230049	CFX-W Driveshaft	310091	Gear shaft B
110011	Cap screw M3×6 (6)	110084	Round head screw M2×10 (6)	130028	Damper O-ring P3 (blue) (10)	230050	MPA Axle cover	310092	Gear shaft C
110013	E-clip 2.0 (10)	110086	Round head screw M3×16 (6)	130032	Damper cap O-ring (10)	230051	MPA C hub carrier set	310093	CFX-W Chassis rail
110016	R-clip 6.0 (10)	110087	Round head screw M3×18 (6)	130045	Slipper pad (2)	230052	MPA Knuckle set	310094	MPA CVD Axle (2)
110017	Shaft 2×9.8 (10)	110088	Round head screw M3×20 (6)	130046	Velcro strap 16×210mm (2)	230053	Damper stay set	310096	MPA Axle (2)
110018	Shaft 2×13.8 (5)	110089	Round head screw M3×30 (6)	130047	Inner sponge 38×122×46 (2)	230054	Bumper set	310097	Gear 16T
110019	Shaft 2×11.8 (5)	110090	Shaft screw M4×4×12 (6)	130051	Receiver case seals	230055	Rod ends set	310098	Gear C 14T
110021	Lock nut M3 (5)	110091	Cap screw M3×40 (6)	210057	Damper cap set	230056	Side sliders set	310099	Bevel gear shaft
110023	Set screw M3×16 (6)	110092	King pin screw (4)	210529	Coil spring 45mm (hard)(silver)(2)	230057	5.8 Rod ends set	310100	Bevel gear set 36-15
110026	Round head screw M3×10 (10)	110093	Nut M3 (5)	230015	Damper parts (2)	230089	Receiver case set	310114	MPA Wheel axle (2)
110027	Cap screw M2×8 (6)	110096	Lock nut M4 (5)	230016	CMX Ball connector set	310072	Piston rod (4)	810023S	Alum. link 43mm (silver) (2)
110029	Round head screw M3×12 (6)	110097	Lock nut M2.5 (5)	230019	CMX Cross member set	310079	Battery tray	810026S	Alum. link 60.5mm (silver) (2)
110031	Shaft 2×10.8 (10)	110098	Shaft 3×11.8 (5)	230020	CMX Gear box chassis set	310080	Slipper plate (2)	810034S	Alum. link 72.5mm (silver) (2)
110037	E-clip 4.0 (10)	110104	G-clip 11.0 (10)	230021	CMX Receiver case set	310081	Gear B 14T (4)	810035S	Alum. link 88mm (silver) (2)
110047	Spacer 3×6×0.5 (8)	110105	Cap screw M1.6×10 (10)	230026	CMX Car body post set	310082	Gear 42T	810036S	Alum. link 96mm (silver) (2)
110048	Spacer 3×8×0.5 (8)	120001	Ball bearing 10×15 (4)	230033	CMX Heavy duty locker set	310083	Gear 32T	820020	Spacer 5×7×0.3 (8)
110049	Round head screw M3×5 (10)	120002	Ball bearing 5×10 (4)	230042	236 1.9" wheel (+5) (4)	310084	Gear B 24T	820030	Cross joint (2)
110052	Countersunk screw M3×10 (10)	120003	Ball bearing 5×8 (4)	230043	648 1.9" wheel (+5) (4)	310085	Gear A 24T		
110061	Round head screw M3×14 (6)	120013	Ball bearing 4×8×3 (2)	230044	M06 Spur gear 62T	310086	Gear A 14T		
110064	Round head screw M2.5×10 (6)	120017	Bearing 5×8 (4)	230045	CFX Deceleration gear box set	310087	Slipper shaft set		

部品編號

101037	MG 攀岩胎 40×120-1.9"	110070	E扣 3.0 (10)	120018	培林 4×10×4 (2)	230046	CFX 減速箱支架組	310088	CFX 馬達座
110001	六角半圓頭螺絲 M3×6 (10)	110073	六角沉頭螺絲 M3×16 (6)	120019	培林 8×12 (2)	230047	CFX 分動箱組	310089	減速箱鎗板
110002	六角半圓頭螺絲 M3×8 (10)	110076	六角半圓頭螺絲 M3×25 (6)	120020	培林 5×9×3 (4)	230048	CFX 驅動軸組	310090	齒輪軸心 A
110010	六角半圓頭螺絲 M2.5×14 (6)	110081	六角沉頭螺絲 M3×14 (6)	120024	軸承 3×6×2.5 (4)	230049	CFX-W 傳動軸	310091	齒輪軸心 B
110011	六角有頭螺絲 M3×6 (半牙)	110084	六角半圓頭螺絲 M2×10 (6)	130028	阻尼器 O 環 P3 (藍) (10)	230050	MPA 車軸殼	310092	齒輪軸心 C
110013	E扣 2.0 (10)	110086	六角半圓頭螺絲 M3×16 (6)	130032	避震上蓋 O 環 (10)	230051	MPA 轉向 C 座組	310093	CFX-W 大樑 (2)
110016	R銷 6.0 (10)	110087	六角半圓頭螺絲 M3×18 (6)	130045	扭限摩擦片 (2)	230052	MPA 轉向座組	310094	MPA CVD 輪軸 (2)
110017	插銷 2×9.8 (10)	110088	六角半圓頭螺絲 M3×20 (6)	130046	電池束帶 16×210mm (2)	230053	避震架組	310096	MPA 輪軸 (2)
110018	插銷 2×13.8 (5)	110089	六角半圓頭螺絲 M3×30 (6)	130047	內襯 38×122×46 (2)	230054	前保桿組	310097	齒輪 16T
110019	插銷 2×11.8 (5)	110090	銷釘螺絲 M4×4×12 (6)	130051	防水膠圈組	230055	拉桿頭組	310098	齒輪 C 14T
110021	防鬆螺帽 M3 (5)	110091	六角有頭螺絲 M3×40 (半牙) (6)	210057	避震器上下蓋組	230056	車側踏板組	310099	傘齒輪
110023	六角止付螺絲 M3×16 (6)	110092	大王螺絲 (4)	210529	避震彈簧 45mm (硬)(銀)(2)	230057	5.8 拉桿頭組	310100	傘齒組 36-15
110026	六角半圓頭螺絲 M3×10 (10)	110093	螺帽 M3 (5)	230015	避震膠件組 (2)	230089	接收機盒組	310114	MPA 萬向接杯 (2)
110027	六角有頭螺絲 M2×8 (6)	110096	防鬆螺帽 M4 (5)	230016	CMX 球頭組	310072	避震軸心 (4)	810023S	鋁合金拉桿 43mm (銀) (2)
110029	六角半圓頭螺絲 M3×12 (6)	110097	防鬆螺帽 M2.5 (5)	230019	CMX 橫樑組	310079	電裝托盤	810026S	鋁合金拉桿 60.5mm (銀) (2)
110031	插銷 2×10.8 (10)	110098	插銷 3×11.8 (5)	230020	CMX 減速箱底盤組	310080	扭限壓盤	810034S	鋁合金拉桿 72.5mm (銀) (2)
110037	E扣 4.0 (10)	110104	G扣 11.0 (10)	230021	CMX 接收機盒組	310081	齒輪 B 14T (4)	810035S	鋁合金拉桿 88mm (銀) (2)
110047	墊片 3×6×0.5 (8)	110105	六角有頭螺絲 M1.6×10 (10)	230026	CMX 車殼支柱組	310082	齒輪 42T	810036S	鋁合金拉桿 96mm (銀) (2)
110048	墊片 3×8×0.5 (8)	120001	培林 10×15 (4)	230033	CMX 直軸連接座組	310083	齒輪 32T	820020	墊片 5×7×0.3 (8)
110049	六角半圓頭螺絲 M3×5 (10)	120002	培林 5×10 (4)	230042	236 1.9" 輪框 (+5) (4)	310084	齒輪 B 24T	820030	連接軸 (2)
110052	六角沉頭螺絲 M3×10 (10)	120003	培林 5×8 (4)	230043	648 1.9" 輪框 (+5) (4)	310085	齒輪 A 24T		
110061	六角半圓頭螺絲 M3×14 (6)	120013	培林 4×8×3 (2)	230044	M06 大齒盤 62T	310086	齒輪 A 14T		
110064	六角圓頭螺絲 M2.5×10 (6)	120017	軸承 5×8 (4)	230045	CFX 減速箱組	310087	扭限軸心組		

MST

MAX SPEED TECHNOLOGY

GPX OFF ROAD **W**
4WD HIGH PERFORMANCE OFF ROAD CAR
READY-TO-RUN RTR **EXPLODED MANUAL**

WWW.RC-MST.COM

[facebook.com/MST.tw]



Max Speed Technology

